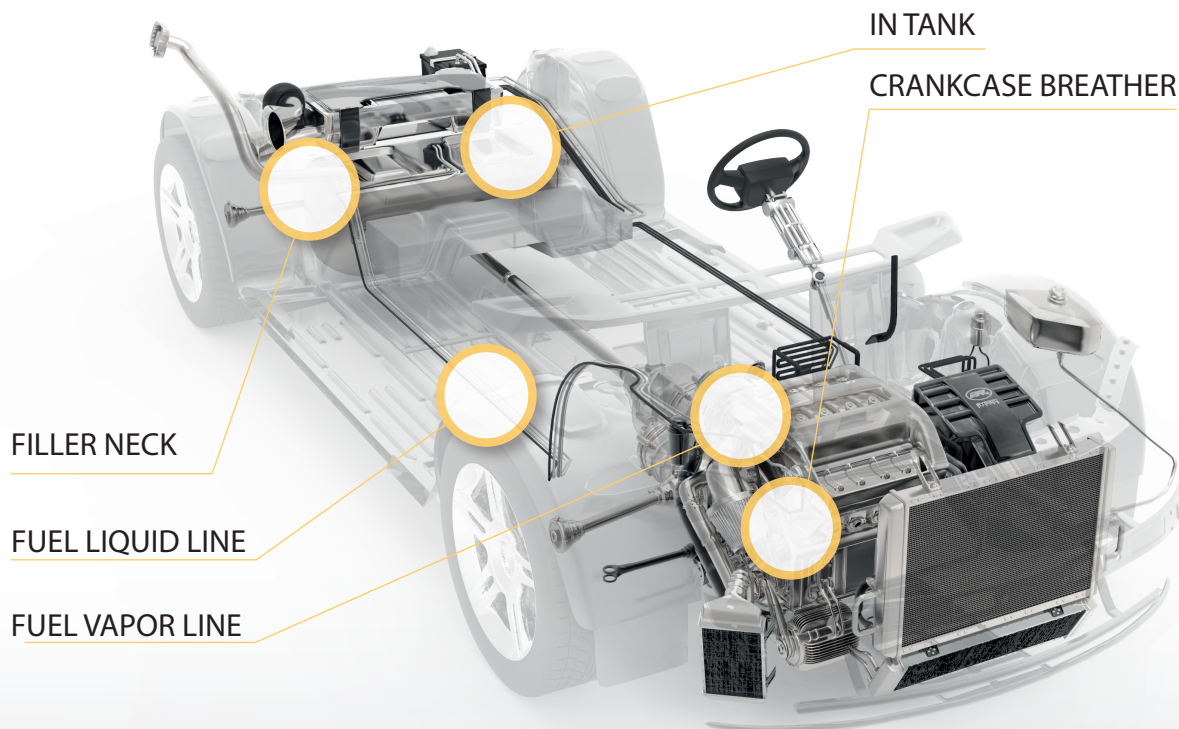


Quick Connectors for fuel lines

Used by most leading automobile brands, **ARaymond™ Quick Connectors** are appreciated for their comprehensive range and their integrated functions (various valves, temperature and pressure sensors, etc.).

They are used in all types of automotive fuel lines as they contribute to **simplifying assembly and ensuring safety.**



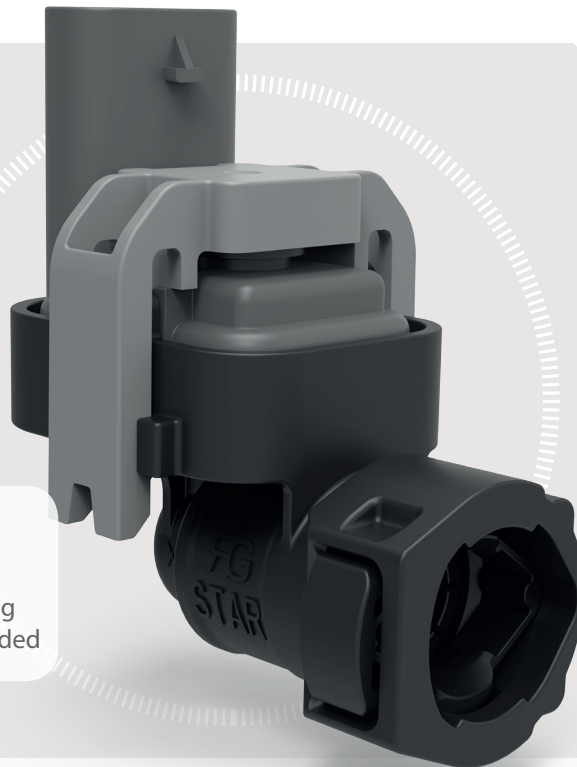
BIGGEST RANGE OF QUICK CONNECTORS WORLDWIDE FOR FUEL LINES

- Adapts to any connection situation, from fir tree or olive barb to friction welding which reduces permeation and offers more robust connection
- Large range of materials answering OEM specific requirements
- Compliant with SAE J2044 standard
- Compatible with gasoline, diesel and bio-fuels

SMART CONNECTORS FOR PRESSURE CONTROL



- 2-in-1, fluid connection & pressure control
- Compact design
- Easy change of measuring range by changing the sensor without additional hardware needed



This smart Quick Connector embeds in a compact design a pressure sensor which measures the pressure inside the tank and on the fuel line.

A PARTNER AT YOUR SERVICE TO FIND YOUR TAILOR-MADE SOLUTION

Thanks to their expertise in design, materials, functions, mechatronics our Program Managers and experts accompany each project from the definition of the need until the start of production. Our **4 design offices worldwide** provide a close support and master the whole value chain, material, process, product. Simulation and **in-house laboratory** validation have been fully integrated in the product development process.

Discover our on-line catalog:

www.connecting.araymond-automotive.com

© *RAYCONNECT INTERNATIONAL SASU, RCS Grenoble 490 195 690 - 123, rue Hilaire de Chardonnet - 38030 Grenoble cedex 2 - France - has designed this brochure. ** "ARaymond Network" means a network of companies which have a license of use of ARAYMOND™. This brochure is provided for information purposes only and does not constitute an offer or an agreement. RAYCONNECT INTERNATIONAL SASU makes no warranty or representation whatsoever, express or implied, including but not limited to the accuracy, reliability, novelty, completeness, fit for a particular purpose or merchantability of the information contained in it. If you need further information, please contact RAYCONNECT INTERNATIONAL SASU.