

ARaymond Fluid Connection is:

458  
million  
QCs sold  
per year



10  
manufacturing  
sites



5  
laboratories



4 R&D  
centers



750  
catalog  
references



worldwide  
leader  
in fuel line



ARaymond Network,  
close to you everywhere

## Your contacts

**BRAZIL**  
ARaymond Brasil Ltda  
Vinhedo - São Paulo  
Tel: +55 19 3836 69 00  
e-mail: [contact.connecting.br@araymond-automotive.com](mailto:contact.connecting.br@araymond-automotive.com)

**CHINA**  
Rayconnect fluid handling system Co.  
Zhenjiang  
Tel: +86 (0) 511 8530 9010  
e-mail: [contact.connecting.cn@araymond-automotive.com](mailto:contact.connecting.cn@araymond-automotive.com)

**CZECH REPUBLIC**  
ARaymond Jablonec, s.r.o.  
Jablonec  
Tel: +420 483 358 111  
e-mail: [contact.connecting.cz@araymond-automotive.com](mailto:contact.connecting.cz@araymond-automotive.com)

**FRANCE**  
Rayconnect International SASU  
Grenoble  
Tel: +33 4 76 33 49 49  
e-mail: [contact.connecting.fr@araymond-automotive.com](mailto:contact.connecting.fr@araymond-automotive.com)

**GERMANY**  
Rayconnect International SAS  
Eschbach/Breisgau  
Tel: +49 7634 5080-429  
e-mail: [contact.connecting.de@araymond-automotive.com](mailto:contact.connecting.de@araymond-automotive.com)

**INDIA**  
ARaymond Fasteners India PVT.Ltd.  
Pune, Maharashtra  
Tel: +91 (2135)676200  
e-mail: [contact.connecting.in@araymond-automotive.com](mailto:contact.connecting.in@araymond-automotive.com)

**ITALY**  
ARaymond Italiana S.r.l.  
Carisio  
Tel: +39 0161 93 73 11  
e-mail: [contact.connecting.it@araymond-automotive.com](mailto:contact.connecting.it@araymond-automotive.com)

**JAPAN**  
ARaymond Japan Co., Ltd.  
Kanagawa  
Tel: +81 463 40 8600  
e-mail: [contact.connecting.jp@araymond-automotive.com](mailto:contact.connecting.jp@araymond-automotive.com)

**ROMANIA**  
ARaymond Jablonec S.r.o  
Pitesti city  
Tel: +40 248 210324  
e-mail: [contact.connecting.ro@araymond-automotive.com](mailto:contact.connecting.ro@araymond-automotive.com)

**RUSSIA**  
ARaymond RUS LLC.  
Nizhniy Novgorod  
Tel: +7 8313 398111  
e-mail: [contact.connecting.ru@araymond-automotive.com](mailto:contact.connecting.ru@araymond-automotive.com)

**SWEDEN**  
C.I. PIHL - Commercial agent Rayconnect International  
Göteborg  
Tel: +46 31 703 34 40  
e-mail: [stefan.andreasson@ci-pihl.se](mailto:stefan.andreasson@ci-pihl.se)

**TURKEY**  
ARaymond Ltd. Sti  
Gebze Kocaeli  
Tel: +90 262 658 10 58  
e-mail: [contact.connecting.tr@araymond-automotive.com](mailto:contact.connecting.tr@araymond-automotive.com)

**UNITED KINGDOM**  
ARaymond Ltd.  
East Malling  
Tel: +44 1732 871934  
e-mail: [contact.connecting.uk@araymond-automotive.com](mailto:contact.connecting.uk@araymond-automotive.com)

**UNITED STATES**  
Rayconnect, Inc.  
Rochester Hill - Michigan  
Tel: +1 248 265 4000  
e-mail: [contact.connecting.us@araymond-automotive.com](mailto:contact.connecting.us@araymond-automotive.com)

**HUNGARY**  
ARaymond Kepviselet  
Felgyö  
Tel: +36 30 967 3636  
e-mail: [contact.connecting.hu@araymond-automotive.com](mailto:contact.connecting.hu@araymond-automotive.com)

**SLOVAKIA**  
ARaymond Slovakia S.R.O  
Trencin  
Tel: +421 326 401 586  
e-mail: [contact.connecting.sk@araymond-automotive.com](mailto:contact.connecting.sk@araymond-automotive.com)

**POLAND**  
ARaymond Polska sp Z.O.O.  
Warsowie  
Tel: +480 22 633 55 87  
e-mail: [contact.connecting.pl@araymond-automotive.com](mailto:contact.connecting.pl@araymond-automotive.com)

**SOUTH KOREA**  
ARaymond Korea Co. Ltd.  
Seoul  
Tel: +82 70 5055 5000  
e-mail: [contact.connecting.kr@araymond-automotive.com](mailto:contact.connecting.kr@araymond-automotive.com)

**SINGAPORE**  
ARaymond Singapore  
Singapore  
Tel: + 65 6221 3193  
e-mail: [contact.connecting.sg@araymond-automotive.com](mailto:contact.connecting.sg@araymond-automotive.com)

# ARaymond

MORE THAN FASTENING

## Fluid connection solutions for AUTOMOTIVE



© \*RAYCONNECT INTERNATIONAL SASU , RCS Grenoble 490 195 690 - 123, rue Hilaire de Chardonnet - 38030 Grenoble cedex 2 - France - has designed this brochure.  
\*\*"ARaymond Network" means a network of companies which have a license of use of ARAYMOND™. This brochure is provided for information purposes only and does not constitute an offer or an agreement. RAYCONNECT INTERNATIONAL SASU makes no warranty or representation whatsoever, express or implied, including but not limited to the accuracy, reliability, novelty, completeness, fit for a particular purpose or merchantability of the information contained in it.  
If you need further information, please contact RAYCONNECT INTERNATIONAL SASU.

ARaymond

MORE THAN FASTENING

[www.araymond-automotive.com](http://www.araymond-automotive.com)



# The broadest portfolio of Quick Connectors for automotive fluid lines

Our products are available in various configurations: geometry, o-ring material, locking mechanism, assembly check options, integrated functions (sensing, valves...), end piece types or diameters, to adapt to any situation for all automotive applications.

- FUEL LINES • SCR UREA
- COOLING • BRAKE LINES
- TRANSMISSION & ENGINE OIL COOLING
- AIR CONDITIONING
- POWER STEERING
- LEAK OFF RAIL

## VISUAL CHECK

- Quick Connectors

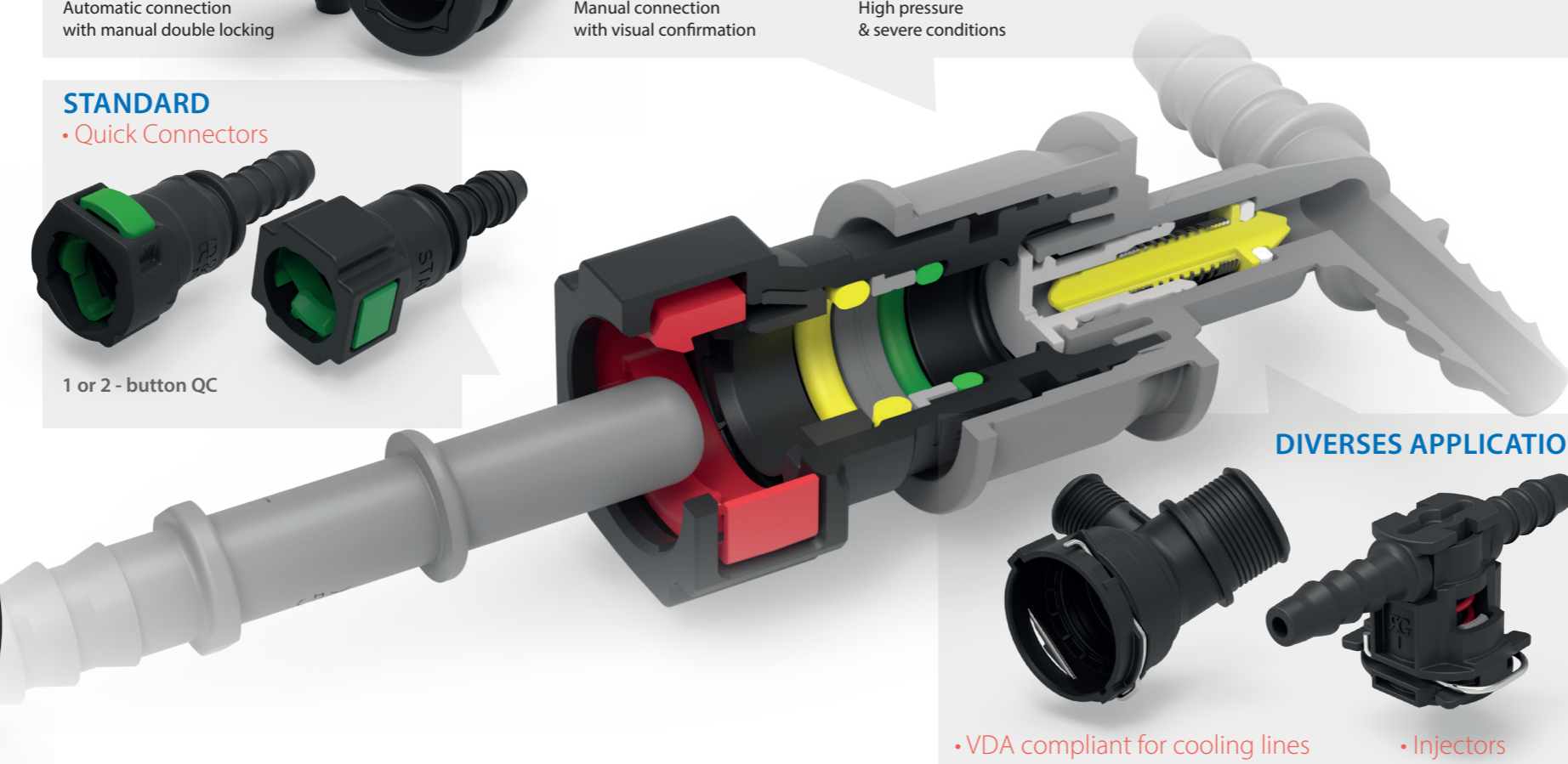
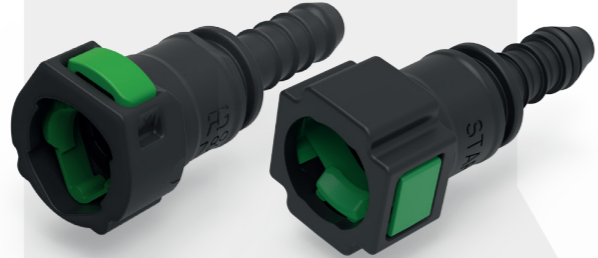


- Accessory



## STANDARD

- Quick Connectors



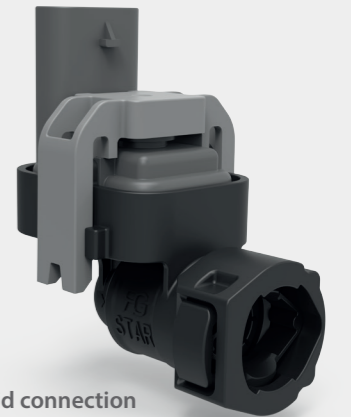
## DIVERSES APPLICATIONS

- VDA compliant for cooling lines

- Injectors

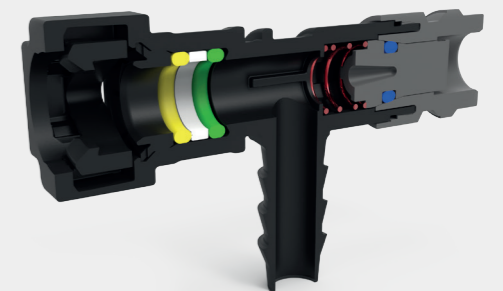
## ADDED FUNCTIONS

- Smart Quick Connectors



- Valves

Shut Off / One Way / Calibrated / Pressure regulator / RG® valve



## DESIGN FLEXIBILITY TO FIT ANY ASSEMBLY SITUATION

- Diameters & geometries

SAE Standard from Ø 6,30-1/4" to Ø 25,50 -1"  
VDA standard from NW6 to NW32

Angle from 0° to 90°, multiways

Various positions of the button or lock feature



- Endpieces & adaptors



ARaymond™ Quick Connectors are widely used in the automotive industry to provide a **fast and easy** connection **for all types of fluid lines**. They ensure robust connection while helping to reach **cost, space and weight savings** for automotive manufacturers.

As a pioneer in plastic Quick Connectors, we developed and patented our first "2-button" QC more than 20 years ago. Since then, **a constant care in answering customer requirements** and anticipating the automotive industry evolution have enriched our expertise and leadership in this field, and drive us to design always more innovative solutions.

Discover our on-line catalog:  
[www.connecting.araymond-automotive.com](http://www.connecting.araymond-automotive.com)